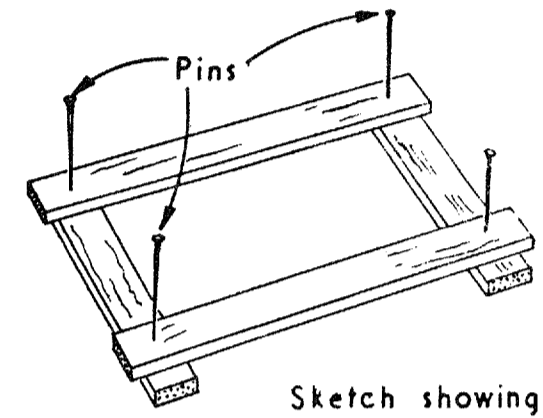
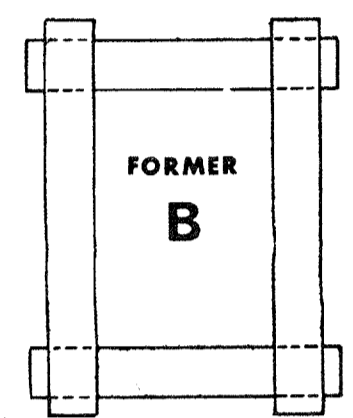
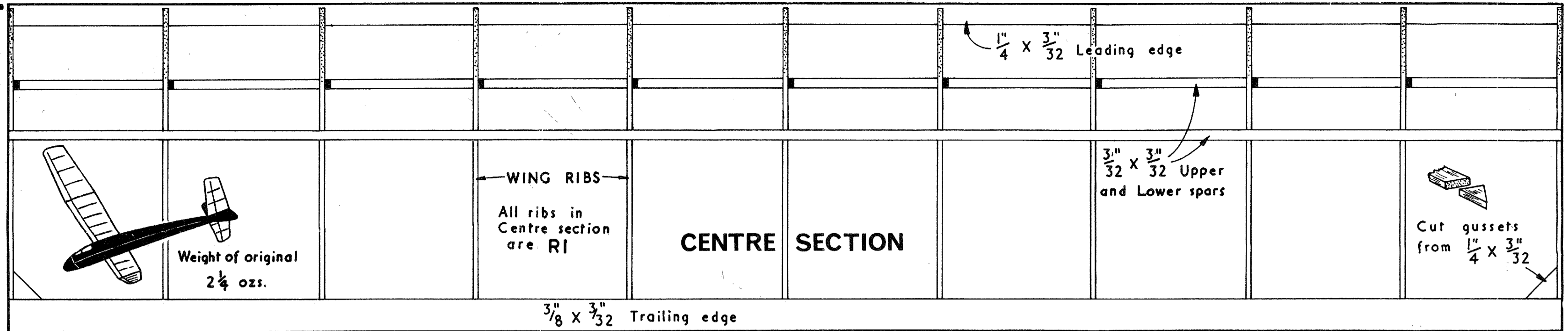


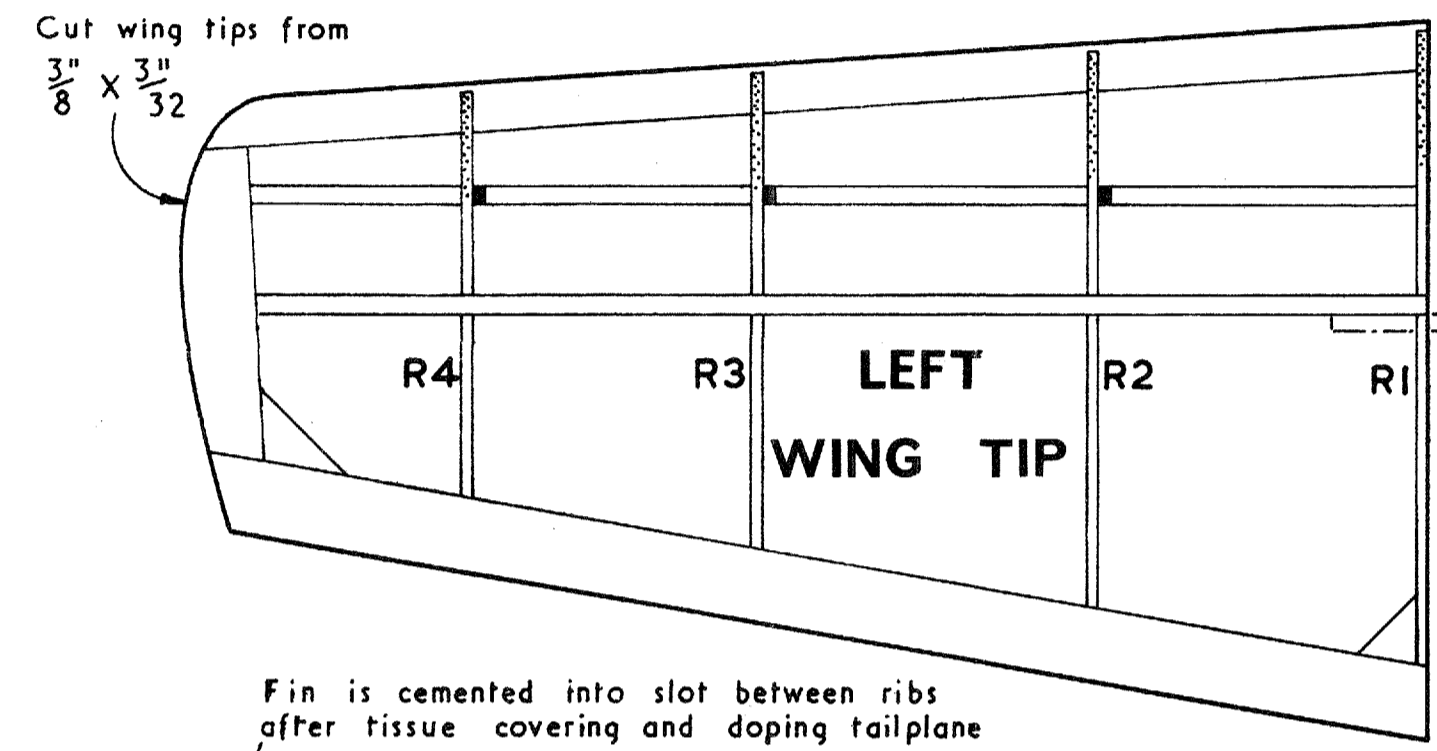
KEIL KRAFT

DOLPHIN

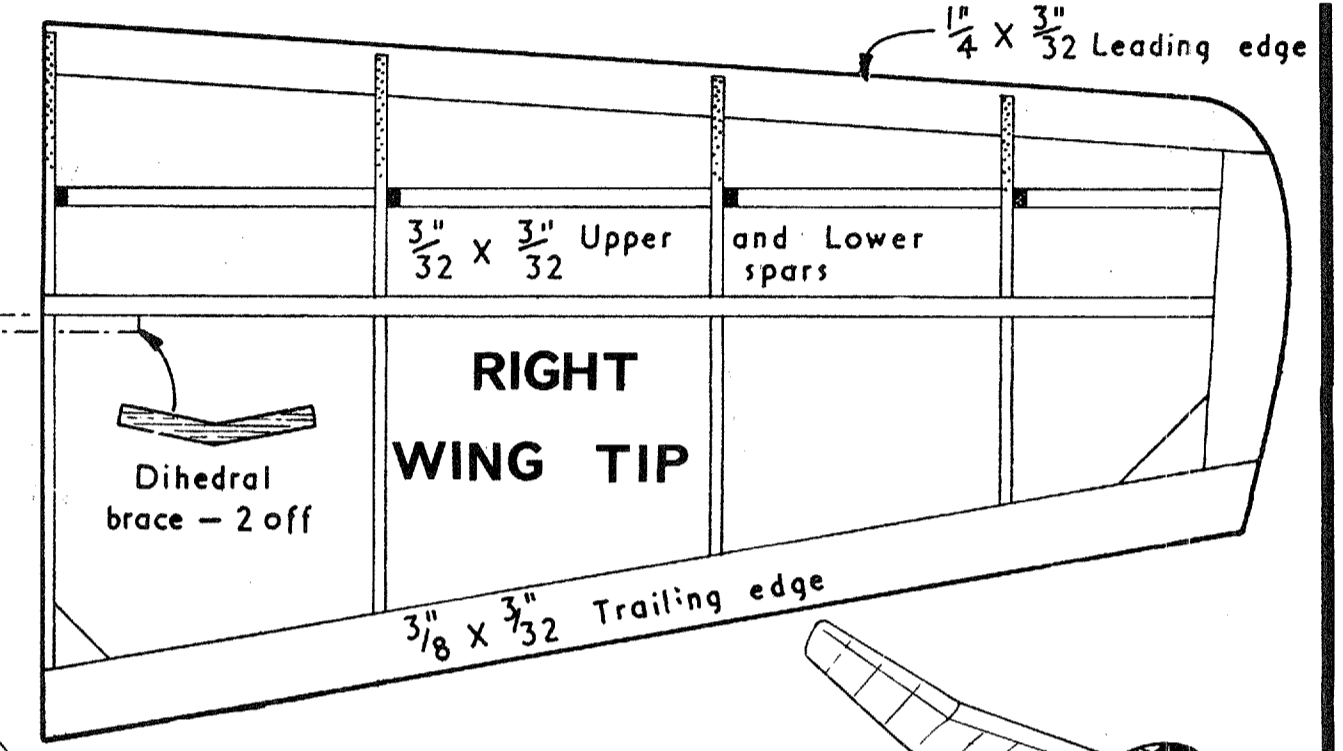
30" Span TOWLINE GLIDER



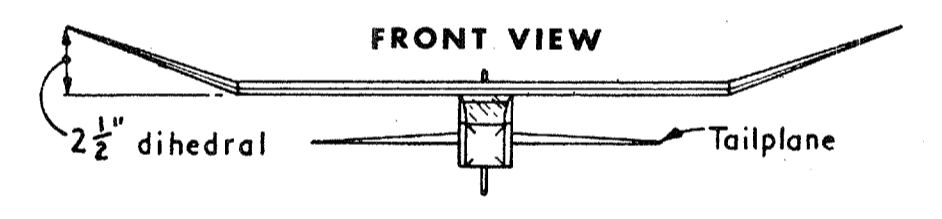
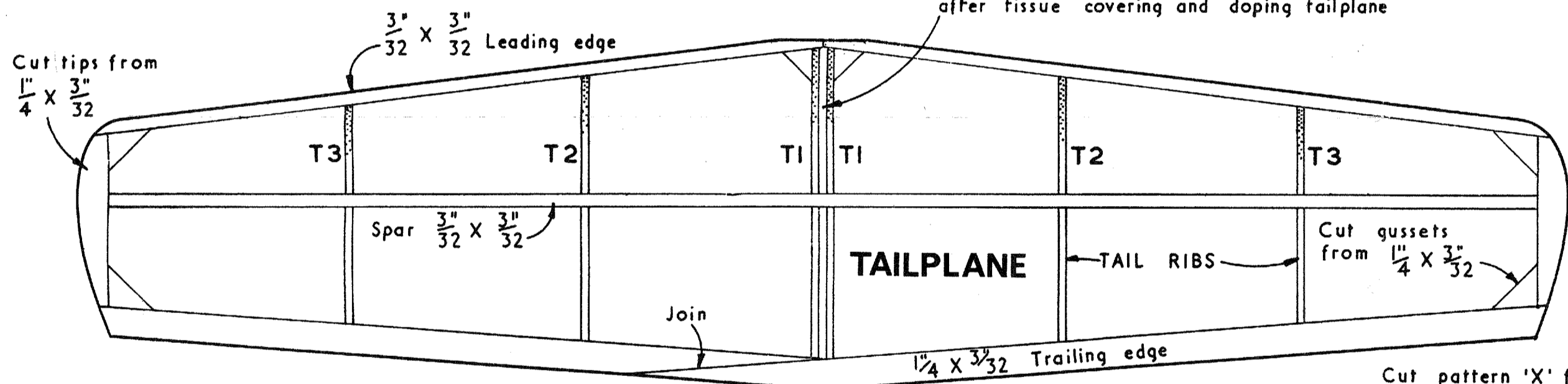
Make Former B over this layout from $\frac{1}{4} \times \frac{3}{32}$



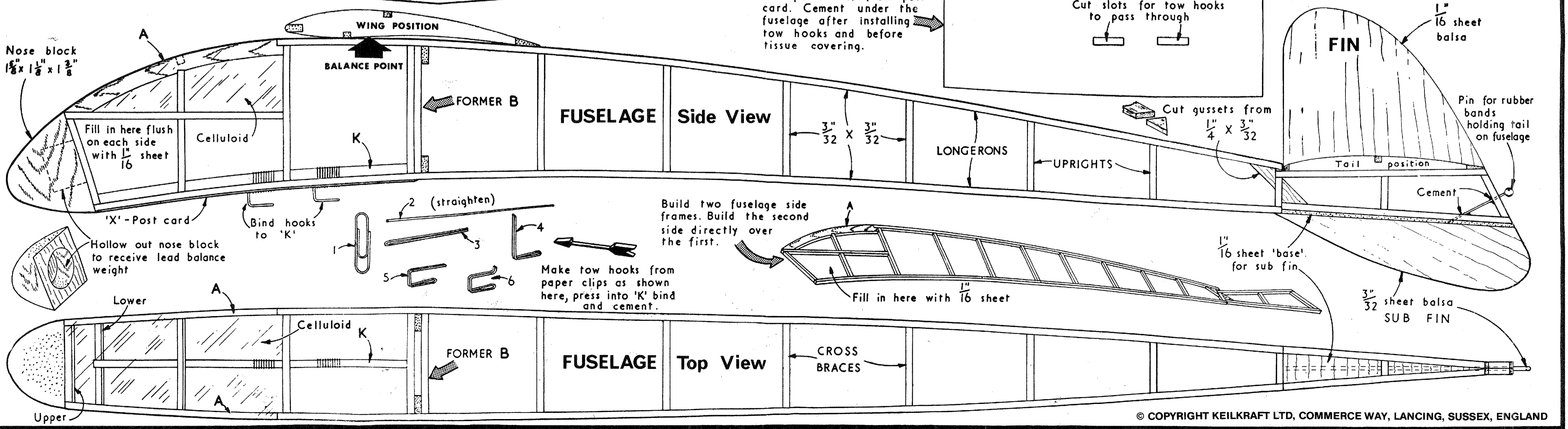
Cut this template from card and use it to tilt ribs R1 of each wing tip, so that $2\frac{1}{2}$ " dihedral is obtained when the tips are joined to the centre section



Sketch of tip construction showing method of using card template to tilt rib R1



DESIGNED BY **Albert Hatfull**



Build two fuselage side frames. Build the second side directly over the first.

Make tow hooks from paper clips as shown here, press into 'K' bind and cement.